

WSSB/WSSB-V

Stainless Steel, Swaged Race, Wide Series,
PTFE Lined (Optional V-Groove)



Spherical Bearings

WSSB/WSSB-V Series provides a wide body alternative within our line of corrosion resistant precision stainless steel spherical bearings. Choose from plain (for press fit applications) or V-Groove (staked fit) mounting styles.

They feature a stainless steel outer race and are PTFE lined for extended wear life. They are swaged and machined around a thru hardened and precision ground stainless steel ball. Suited for many corrosive environment applications requiring stainless steel. The PTFE liner minimizes friction or wear within the bearing's inner surface, reducing maintenance and increasing bearing life.

The WSSB/WSSB-V Series is just one of many products found within our broad line of spherical bearings. For full product line detail, contact us for a comprehensive catalog or visit www.tuthill.com and download individual product data sheets and other product information.



Description:

WSSB/WSSB-V
Spherical Bearings
Wide Bodied, Stainless Steel,
Swaged Race, Wide Series,
PTFE Lined,
(Optional V-Groove)

Applications:

Numerous corrosive and "clean room or food grade" applications, including:

- Food equipment
- Racing
- Medical equipment
- Marine equipment
- Light industrial applications

Features:

- Suited for numerous non-rotational applications — for mounting into plates or shocks where room for attaching full rod ends is not available
- Stainless steel provides optimized corrosion resistance
- PTFE lined design minimizes wear between working surfaces (lower maintenance, increased life)
- Offered in plain (press fit) or V-Groove (staked fit) mounting styles
- Can be used in a wide range of temperatures: -65°F — 250°F (-54°C — 121°C)

Other Related Products:

- NSSB/NSSB-V
Stainless Steel, Swaged Race, Narrow Series, PTFE Lined, (Optional V-Groove)
- YSSB/YSSB-V
High Misalignment Series, Stainless Steel, Swaged Race, PTFE Lined, (Optional V-Groove)

WSSB/WSSB-V

Stainless Steel, Swaged Race,
Wide Series, PTFE Lined,
(Optional V-Groove)

Material

Ball

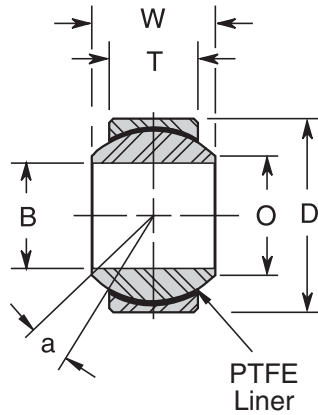
- 440c Stainless Steel
- Rc 55 min.

Race

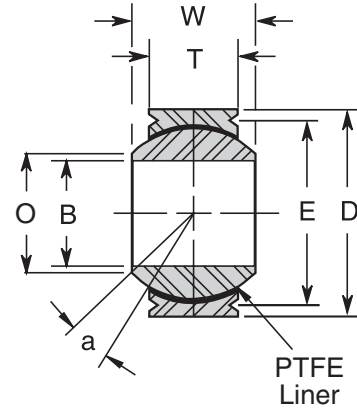
- 17-4 PH Stainless Steel, Heat Treated

Liner

- PTFE Liner, Permanently Bonded to Race I.D.



WSSB



WSSB-V

WSSB/WSSB-V CHART

Part Number		B +.0015 -.0005	D +.0000 -.0005	W +.000 -.002	T ±.005	E +.000 -.010	O REF	REF	a° REF	Static Radial Limit Load (Pounds)	Static Axial Limit Load (Pounds)	Dynamic Oscillating Radial Load (Pounds)	Approx. Weight (Pounds)
Standard	V-Groove	Ball Bore	Outside Diameter	Ball Width	Race Width	V-Groove Diameter	Ball Flat Diameter	Ball Diameter	Misalign Angle				
WSSB3	WSSB3V	.1900	.6250	.437	.327	.565	.301	.531	17	2,500	1,770	3,770	.031
WSSB4	WSSB4V	.2500	.6250	.437	.327	.565	.301	.531	17	5,500	1,770	3,770	.031
WSSB5	WSSB5V	.3125	.6875	.437	.317	.627	.366	.570	16	9,400	1,640	4,650	.035
WSSB6	WSSB6V	.3750	.8125	.500	.406	.714	.471	.687	10	13,700	2,630	6,390	.060
WSSB7	WSSB7V	.4375	.9375	.562	.442	.839	.542	.781	12	20,700	3,650	9,390	.080
WSSB8	WSSB8V	.5000	1.0000	.625	.505	.902	.612	.875	10	21,400	4,970	12,150	.100
WSSB10	WSSB10V	.6250	1.1875	.750	.567	1.089	.753	1.062	13	29,000	6,130	16,700	.160
WSSB12	WSSB12V	.7500	1.3750	.875	.630	1.253	.893	1.250	14	37,000	7,730	22,100	.240
WSSB14	WSSB14V	.8750	1.6250	.875	.755	1.503	1.061	1.375	6	67,300	10,800	28,200	.350
WSSB16	WSSB16V	1.0000	2.1250	1.375	1.005	2.003	1.275	1.875	15	104,000	19,300	53,700	.970

Chart notes: This part is also available with an optional 52100 heat-treated and hard chrome plated ball. To specify, use part number WSBT10. See technical section for "V" groove dimensions and staking instructions.

Linking Motion
& Control...
The Tuthill
Solution



TUTHILL
Controls Group

2110 Summit Street
New Haven, Indiana USA 46774
Tel 260 749-5105 Fax 260 493-2387
www.tuthill.com

• Review "Installation of Spherical Bearing" section of Tuthill Technical/Application Data brochure for installation instructions. Please refer to the Warning statement and appropriate installation usage information in the Tuthill Technical/Application Data brochure.
• For application assistance/technical questions, please contact (titech@tuthill.com) or phone (260-749-5105)