

RMX/RMX-T

3-Piece, Metal to Metal or PTFE Lined,
Heat Treated Alloy Steel, Heavy Duty Shank



Rod Ends Precision/ Heavy Duty

Suitable for many heavier load industrial and racing applications, the Tuthill RMX/RMX-T Series employs a 3-piece high strength alloy body (or PTFE lined) rod end design, but with an increased body and larger "step shank" thread size for increased radial and axial strength applications.

The ball is produced from bearing quality steel that is thru hardened and finish ground, adding to its precision fit and increased wear performance. For RMX-T Series, a permanently bonded PTFE liner minimizes wear within the body's inner bearing surface, reducing maintenance and increasing rod end life. The body and race are produced from heat treated alloy steel. Both are zinc plated for extended corrosion resistance. Its clear chromate finish is suited for high visibility exposed surfaces requiring "aesthetically pleasing" bright metal finish. Studded and right or left-handed thread versions are available. Grease fittings are optionally available on the RMX Series.

The RMX/RMX-T Series is just one of many within our broad line of precision/heavy duty rod ends. For full product line detail, contact us for a comprehensive catalog or visit www.tuthill.com and download individual product data sheets and other product information.



Description:

RMX/RMX-T
Precision/Heavy Duty Rod Ends
3-Piece, Metal to Metal or
PTFE Lined, Heat Treated
Alloy Steel, Heavy Duty Shank

Applications:

Heavier load, higher precision motion control devices and applications, including:

- Wide range of industrial equipment
- Racing

Features:

- 3-piece alloy steel body design provides for maximized strength (PTFE lined version also available)
- Increased resistance to radial static load capacity via heavy duty step shank design
- Larger housing design for even heavier loads
- Precision spherical bearing insert allows for optimum contact between the ball and race extending the product life
- Can be used in a wide range of temperatures: -65°F — 250°F (-54°C — 121°C)
- Offered in studded and right or left-handed versions
- Custom assemblies can be built to your specifications
- English sizing and male styles only

RMX/RMX-T

Material

Ball

- 52100 Steel
- Rc 56 Min.
- Hard Chrome Plated

Body

- Alloy Steel, Heat Treated
- Zinc Plated, Clear Chromate Treated

Race: RMX

- Alloy Steel, Heat Treated
- Zinc Plated, Clear Chromate Treated

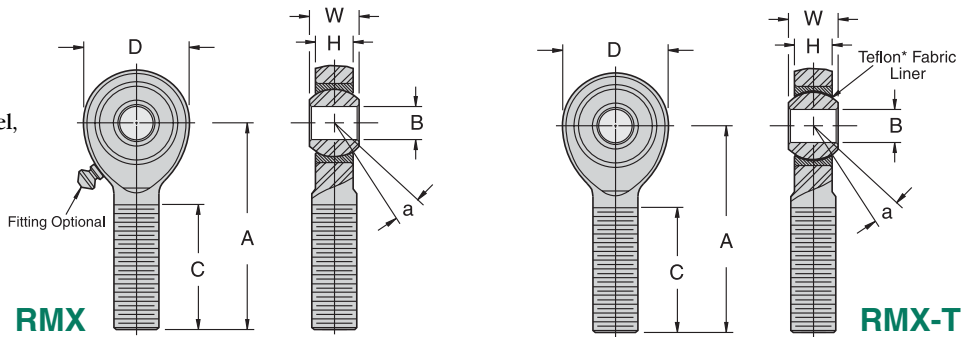
Race: RMX-T

- Low Carbon Steel
- Zinc Plated, Clear Chromate Treated

Liner: RMX-T only

- PTFE Fabric, Permanently Bonded to I.D.

3-Piece, Metal to Metal or PTFE Lined, Heat Treated Alloy Steel, Heavy Duty Shank



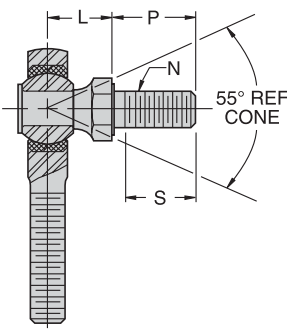
RMX CHART

Part Number		B +.0025 -.0005	W +.000 -.005	H ±.005	A ±.015	D ±.010	REF	C +.062 -.031	UNF-3A	a°	Ultimate Radial Static Load Capacity (Pounds)	Approx. Weight (Pounds)
Right Hand	Left Hand	Ball Bore	Ball Width	Housing Width	Centerline Length	Head Diameter	Ball Diameter	Thread Length	Thread Size	Misalign Angle		
RMX3	RMXL3	.1900	.312	.250	1.562	.750	.437	1.000	1/4-28	10	5,260	.043
RMX4	RMXL4	.2500	.375	.281	1.875	.875	.500	1.250	5/16-24	13	8,452	.072
RMX5	RMXL5	.3125	.437	.344	1.938	1.000	.625	1.250	3/8-24	12	12,978	.112
RMX6	RMXL6	.3750	.500	.406	2.125	1.125	.719	1.375	7/16-20	10	17,508	.160
RMX7	RMXL7	.4375	.562	.437	2.438	1.312	.812	1.500	1/2-20	12	23,452	.249
RMX8	RMXL8	.5000	.625	.500	2.625	1.500	.937	1.625	5/8-18	10	31,390	.382
RMX10	RMXL10	.6250	.750	.562	2.875	1.750	1.125	1.750	3/4-16	13	40,572	.602

RMX-T CHART

Part Number		B +.0025 -.0005	W +.000 -.005	H ±.005	A ±.015	D ±.010	REF	C +.062 -.031	UNF-3A	a°	Ultimate Radial Static Load Capacity (Pounds)	Weight (Pounds)
Right Hand	Left Hand	Ball Bore	Ball Width	Housing Width	Centerline Length	Head Diameter	Ball Diameter	Thread Length	Thread Size	Misalign Angle		
RMX3T	RMXL3T	.1900	.312	.250	1.562	.750	.437	1.000	1/4-28	10	5,260	.043
RMX4T	RMXL4T	.2500	.375	.281	1.875	.875	.500	1.250	5/16-24	13	8,452	.072
RMX5T	RMXL5T	.3125	.437	.344	1.938	1.000	.625	1.250	3/8-24	12	12,978	.112
RMX6T	RMXL6T	.3750	.500	.406	2.125	1.125	.719	1.375	7/16-20	10	17,508	.160
RMX7T	RMXL7T	.4375	.562	.437	2.438	1.312	.812	1.500	1/2-20	12	23,452	.249
RMX8T	RMXL8T	.5000	.625	.500	2.625	1.500	.937	1.625	5/8-18	10	31,390	.382
RMX10T	RMXL10T	.6250	.750	.562	2.875	1.750	1.125	1.750	3/4-16	13	40,572	.602

Chart Notes: 1. For standard lubrication fitting, add "Z" to suffix. Example: RMX10Z
2. This series is also available in a studded configuration. Specify by adding "S" to suffix. Example: RMX10S



Studded Dimensions

Rod End Bore Size	L REF	P ±.030	S Min. Thread Length	N Thread Size UNF-2A
3/16"	.437	.438	.375	10-32
1/4"	.469	.563	.500	1/4-28
5/16"	.531	.688	.594	5/16-24
3/8"	.625	.875	.781	3/8-24
7/16"	.844	1.062	.937	7/16-20
1/2"	.875	1.125	1.000	1/2-20
5/8"	1.000	1.125	1.000	5/8-18
3/4"	1.187	1.812	1.625	3/4-16

Product Selector Guide

- Rod Ends — Industrial/Commercial
- Rod Ends — Precision/Heavy Duty
- Spherical Bearings
- Ball Joints
- Swivels
- Clevises/Safety Fasteners/Pins

Linking Motion & Control...
The Tuthill Solution



2110 Summit Street
New Haven, Indiana USA 46774
Tel 260 749-5105 Fax 260 493-2387
www.tuthill.com

• Please refer to the Warning statement and appropriate installation usage information in the Tuthill Technical/Application Data brochure
• For application assistance/technical questions, please contact (tjtech@tuthill.com) or phone (260-749-5105)