

NSMX-T

3-Piece, Heat Treated Alloy Steel,
Nickel Plated, PTFE Lined



Rod Ends Precision/ Heavy Duty

Suitable for many heavy load race and automotive motion control applications, the Tuthill NSMX-T Series brings an upgrade of heavy duty performance and superior corrosion resistance with a bright mirrored cosmetic finish to a PTFE lined, 3-piece precision rod end design. The housing uses a heat treated alloy material instead of standard steels used in other 2- and 3-piece designs.

The ball is produced from bearing quality steel that is thru hardened and finish ground, adding to its precision fit and overall increased wear performance. The body component is produced from heat treated alloy steel. The raceway is machined from low carbon steel. Permanently bonded PTFE liner minimizes wear within the body's inner bearing surface, reducing maintenance and increasing rod end life. The body is bright electroless nickel plated for superior corrosion resistance and superior appearance, perfect for many automotive and racing applications (raceway is clear chromate finished).

The NSMX-T Series is just one of many within our broad line of precision rod ends. For full product line detail, contact us for a comprehensive catalog or visit www.tuthill.com and download individual product data sheets and other product information.



Description:

NSMX-T
Precision/Heavy Duty Rod Ends
3-Piece, Heat Treated Alloy
Steel, Nickel Plated,
PTFE Lined

Applications:

Higher load, precision motion control devices and applications, including:

- Racing/hot rods
- Automotive

Features:

- 3-piece design uses alloy steel body which provides for higher strength performance in a precision rod end
- Body is bright electroless nickel plated for bright mirror finish and superior corrosion resistance
- PTFE lined design minimizes wear between working surfaces (lower maintenance, increased life)
- Precision spherical bearing insert allows for optimum contact between the ball and race extending the product life
- Can be used in a wide range of temperatures:
-65°F — 250°F
(-54°C — 121°C)
- Offered in studed and right or left-handed versions
- Custom assemblies can be built to your specifications

Other Related Products:

- TSMX-T/TSFX-T 3-Piece, PTFE Lined, Precision/Heavy Duty
- UMAX-T 3-Piece, Ultimate Strength, Alloy Steel Nickel Plated, PTFE Lined

NSMX-T

3-Piece, Heat Treated Alloy Steel,
Nickel Plated, PTFE Lined

Material

Ball

- 52100 Steel
- Rc 56 Min.
- Hard Chrome Plated

Body

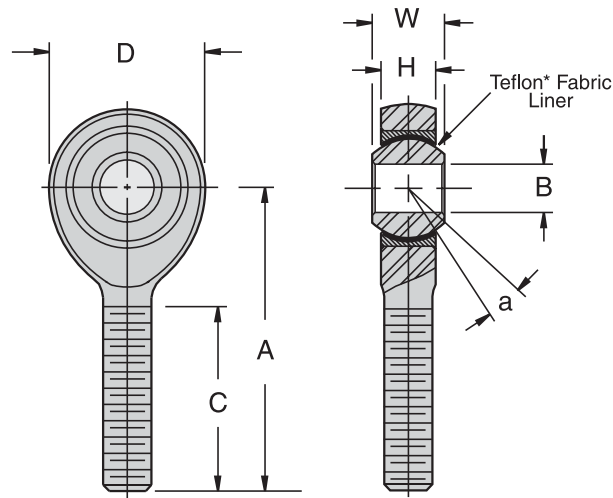
- Alloy Steel, Heat Treated
- Bright Electroless Nickel Plated

Race

- Low Carbon Steel
- Zinc Plated, Clear Chromate Treated

Liner

- PTFE Fabric, Permanently Bonded to I.D.

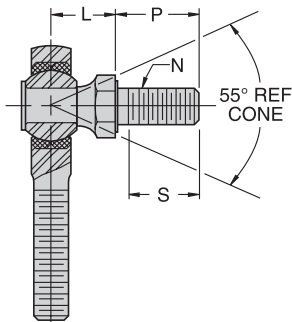


NSMX-T CHART

Part Number		B +.0025 -.0005	W +.000 -.005	H ±.015	A ±.015	D ±.010	REF	C +.062 -.031	UNF-3A	a°	Ultimate Radial Static Load Capacity (Pounds)	Approx. Weight (Pounds)
Right Hand	Left Hand	Ball Bore	Ball Width	Housing Width	Centerline Length	Head Diameter	Ball Diameter	Thread Length	Thread Size	Misalign Angle		
NSMX6T	NSMXL6T	.3750	.500	.406	1.938	1.000	.719	1.250	3/8-24	12	9,544	.112
NSMX8T	NSMXL8T	.5000	.625	.500	2.438	1.312	.937	1.500	1/2-20	12	16,238	.249
NSMX10T	NSMXL10T	.6250	.750	.562	2.625	1.500	1.125	1.625	5/8-18	16	17,955	.382
NSMX12T	NSMXL12T	.7500	.875	.687	2.875	1.750	1.312	1.750	3/4-16	14	28,081	.602

Chart Notes: 1. This series is also available in a studded configuration. Specify by adding "S" to suffix. Example: NSMX10TS

Linking Motion
& Control...
The Tuthill
Solution



Studded Dimensions

Rod End Bore Size	L REF	P ± .030	S Min. Thread Length	N Thread Size UNF-2A
3/8"	.625	.875	.781	3/8-24
1/2"	.875	1.125	1.000	1/2-20
5/8"	1.000	1.125	1.000	5/8-18
3/4"	1.187	1.812	1.625	3/4-16

Product Selector Guide

- Rod Ends — Industrial/Commercial
- Rod Ends — Precision/Heavy Duty
- Spherical Bearings
- Ball Joints
- Swivels
- Clevises/Safety Fasteners/Pins



TUTHILL
Controls Group

2110 Summit Street
New Haven, Indiana USA 46774
Tel 260 749-5105 Fax 260 493-2387
www.tuthill.com

• Please refer to the Warning statement and appropriate installation usage information in the Tuthill Technical/Application Data brochure
• For application assistance/technical questions, please contact (titech@tuthill.com) or phone (260-749-5105)