

EM/EF

Commercial, 2-Piece,
Metal to Metal



Rod Ends Industrial/ Commercial

Suitable for many light to heavy duty industrial/mechanical motion transfer applications, the Tuthill 2-piece metal to metal EM/EF Series offers our most economical design. Ball and body materials are produced from a low carbon steel and are zinc plated with yellow dichromate treatment for extended corrosion resistance. The ball is case hardened for extended wear. This all metal rod end can be operated in a wide range of temperatures. Studded and right or left-handed thread versions are available. Grease fittings are optionally available.

The EM/EF Series is just one of many within our broad line of industrial/commercial rod ends. For full product line detail, contact us for a comprehensive catalog or visit www.tuthill.com and download individual product data sheets and other product information.



Description:

EM/EF
Industrial/Commercial Rod Ends
2-Piece, Metal to Metal

Applications:

Numerous mechanical motion transfer devices/applications, including:

- Construction equipment
- Lawn and garden
- Truck/bus

Features:

- 2-piece metal to metal design offers our most economical option
- Suited for higher axial loads where side loading strength is critical
- Can be used in a wide range of temperatures:
-65°F — 250°F
(-54°C — 121°C)
- Offered in studded and right or left-handed versions
- Special custom alloy construction available
- Custom assemblies can be built to your specifications
- Meets SAE spec J1120

Other Related Products:

- EM-T/EF-T Commercial, 2-Piece
- EM-M/EF-M Commercial, 2-Piece, Metric SAE J1259
- EM-MT/EF-MT Commercial, 2-Piece, Metric SAE J1259

EM/EF

Commercial, 2-Piece,
Metal to Metal

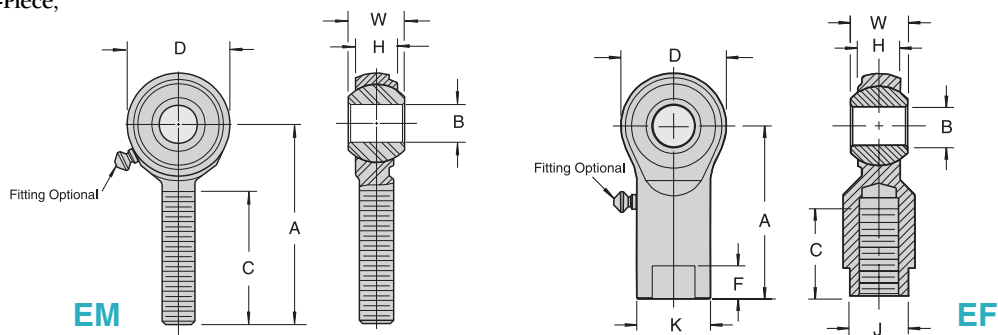
Material

Ball

- Low Carbon Steel
- Case Hardened
- Zinc Plated, Yellow Dichromate Treated

Body

- Low Carbon Steel
- Zinc Plated, Yellow Dichromate Treated



EM Chart

Part Number		B +.0020 -.0000	W ±.005	H REF	A ±.015	D ±.015	REF	C ±.060	UNF-2A	Ultimate Radial Static Load Capacity (Pounds)	Weight (Pounds)
Right Hand	Left Hand	Ball Bore	Ball Width	Housing Width	Centerline Length	Head Diameter	Ball Diameter	Thread Length	Thread Size		
EM4	EML4	.2500	.375	.281	1.562	.750	.516	1.000	1/4-28	2,510	.043
EM5	EML5	.3125	.437	.344	1.875	.875	.625	1.250	5/16-24	3,430	.073
EM6	EML6	.3750	.500	.406	1.937	1.000	.719	1.250	3/8-24	5,520	.110
EM8	EML8	.5000	.625	.500	2.437	1.312	.938	1.500	1/2-20	8,690	.240
EM10	EML10	.6250	.750	.562	2.625	1.500	1.125	1.625	5/8-18	10,300	.368

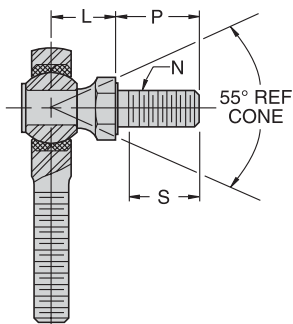
EF Chart

Part Number		B +.0020 -.0000	W ±.005	H REF	A ±.015	D ±.015	K ±.015	J ±.015	F ±.030	REF	C ±.060	UNF-2B	Ultimate Radial Static Load Capacity (Pounds)	Weight (Pounds)
Right Hand	Left Hand	Ball Bore	Ball Width	Housing Width	Centerline Length	Head Diameter	Shank Diameter	Wrench Flat Width	Wrench Flat Length	Ball Diameter	Thread Length	Thread Size		
EF4	EFL4	.2500	.375	.281	1.312	.750	.469	.375	.250	.516	.687	1/4-28	3,470	.062
EF5	EFL5	.3125	.437	.344	1.375	.875	.500	.437	.281	.625	.687	5/16-24	4,680	.081
EF6	EFL6	.3750	.500	.406	1.625	1.000	.687	.562	.312	.719	.812	3/8-24	5,520	.152
EF8	EFL8	.5000	.625	.500	2.125	1.312	.875	.750	.375	.938	1.187	1/2-20	9,460	.324
EF10	EFL10	.6250	.750	.562	2.500	1.500	1.000	.875	.500	1.125	1.406	5/8-18	10,300	.473

Chart Notes: 1. For standard lubrication fitting, add "Z" to suffix. Example: EM10Z
2. This series is also available in a studded configuration. Specify by adding "S" to suffix. Example: EM10S

Studded Dimensions

Rod End Bore Size	L REF	P ±.030	S Min. Thread Length	N Thread Size UNF-2A
1/4"	.469	.563	.500	1/4-28
5/16"	.531	.688	.594	5/16-24
3/8"	.625	.875	.781	3/8-24
1/2"	.875	1.125	1.000	1/2-20
5/8"	1.000	1.125	1.000	5/8-18



Product Selector Guide

- Rod Ends — Industrial/Commercial
- Rod Ends — Precision/Heavy Duty
- Spherical Bearings
- Ball Joints
- Swivels
- Clevises/Safety Fasteners/Pins

Linking Motion
& Control...
The Tuthill
Solution



2110 Summit Street
New Haven, Indiana USA 46774
Tel 260 749-5105 Fax 260 493-2387
www.tuthill.com

• Please refer to the Warning statement and appropriate installation usage information in the Tuthill Technical/Application Data brochure
• For application assistance/technical questions, please contact (titech@tuthill.com) or phone (260-749-5105)