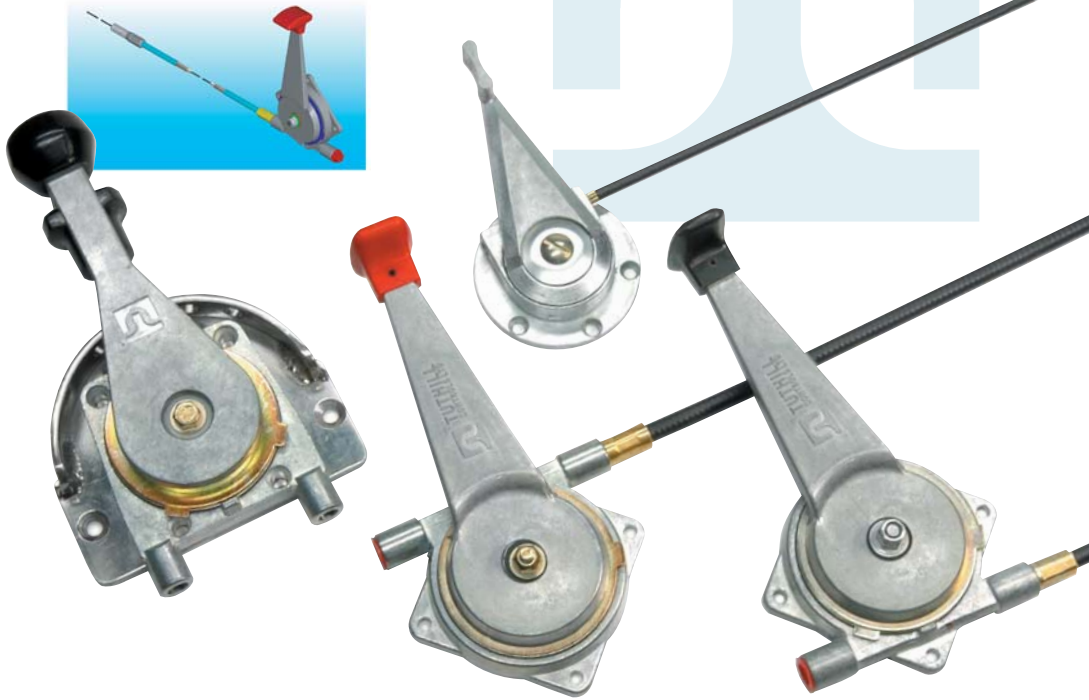


# Unidrum Lever

Push-Pull and Pull-Only Hand Control



## Hand Control Industrial

A control head designed primarily for hand throttle applications on commercial and industrial vehicles, and also suitable for many other uses. Compact and efficient for imparting light-to-medium pull-only or push-pull loads through flexible conduits and inner-members. Unidrum controls hold and operate up to 26lb push-pull or pull-only output loads. Mechanical advantage at knob is 5 to 1. There is a self locking nut for operator adjustment of friction setting. The adjustable stop plates allow 10° (3/16" linear output) incremental travel adjustment. Two inches of cable travel requires approximately 90° lever travel. Three inches of cable requires approximately 135° lever travel. The lever position is adjustable in 60° increments to provide optimum operating range. Optional cable entry offers four mountings/directions of operation alternatives. Also available with a smaller handle for light duty applications or with a locking handle.



### Description:

Unidrum Lever  
Industrial Push-Pull  
and Pull-Only Hand Control

### Applications:

- Medium to light duty throttle compactors
- Valve dump control jackhammers
- Hydraulic valve control concrete cutters
- Backhoe throttle

### Features:

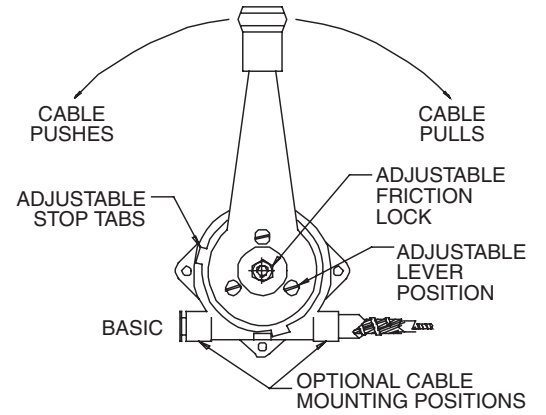
- Adjustable friction lock
- 5 to 1 mechanical advantage
- Adjustable mechanical stops

### Other Related Products:

- All other hand levers

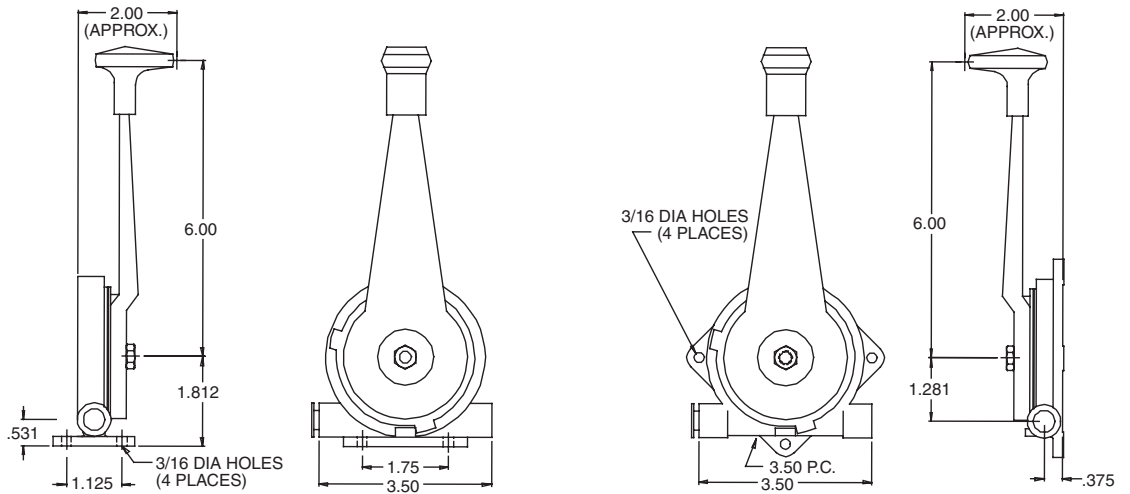
# Unidrum Lever

- Hold and operate up to 25lb push-pull or pull-only output load. Mechanical advantage at knob is 5/1.
- Self-locking nut for operator adjustment of friction setting.
- Adjustable stop plates allow 10° incremental travel adjustment.
- Lever position is adjustable in 60° increments.
- Four optional cable entry alternatives.
- Rugged diecast zinc alloy material.
- Mount with (4) 3/16" screws or bolts.



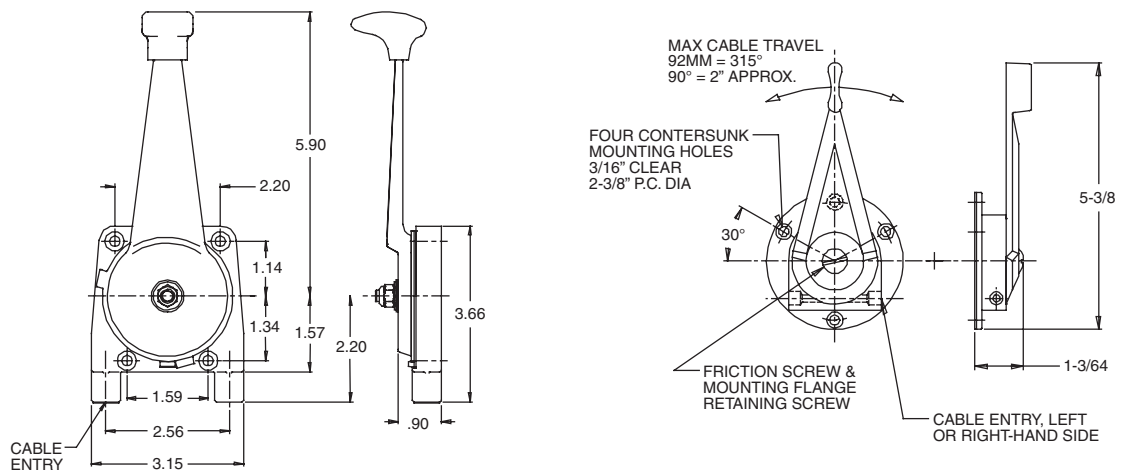
## CH205/206

## CH240

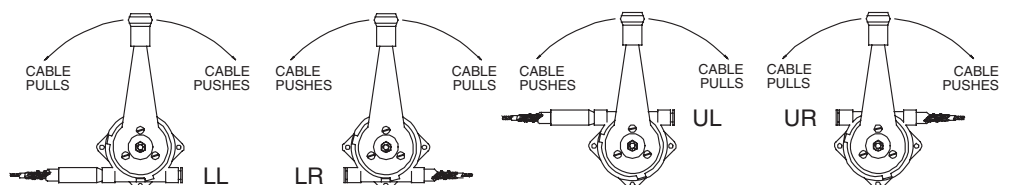


## CH260

## CH220 (Miniature)



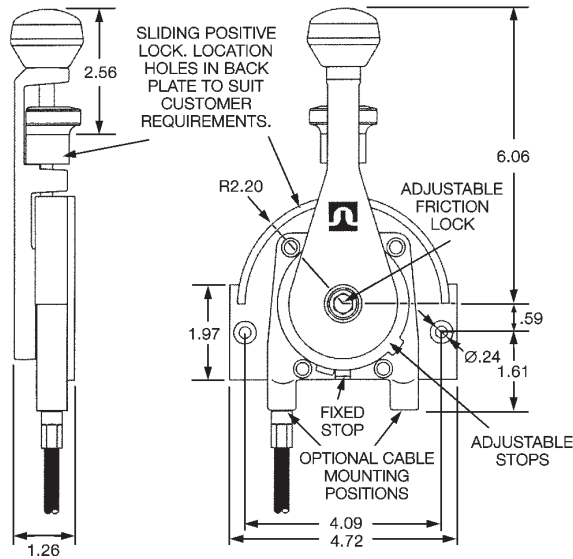
## Cable Exit Positions



All line art dimensions are represented in inches

# CH290 (Unidrum Operator Positive Lock)

- Hold and operate up to 26lb push-pull or pull-only output load. Mechanical advantage at knob is 5/1.
- Self-locking nut for operator adjustment of friction setting.
- Adjustable stop plates allow 10° (.2 linear output) incremental travel adjustment. 2" of cable travel requires approximately 90° lever travel.
- Optional cable entry.
- Rugged diecast zinc alloy material.

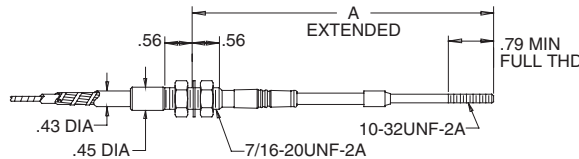


## Output End Configurations

### VLD Utility

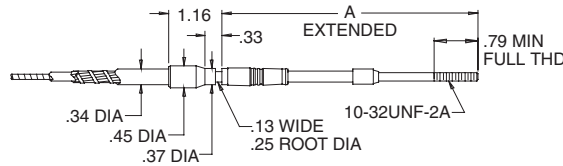
#### 1 Threaded Swivel

**Dimension A Per Stroke (extended)**  
 2" 6.94"  
 3" 8.94"



#### 2 Grooved Swivel

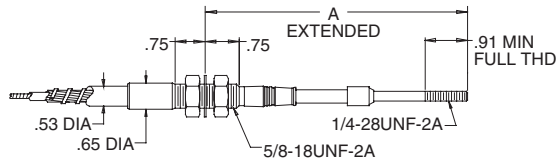
**Dimension A Per Stroke (extended)**  
 2" 6.25"  
 3" 8.25"



### LD Utility

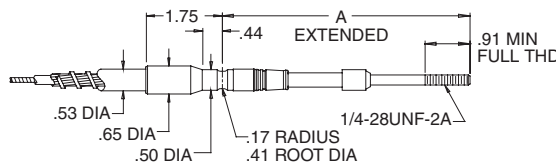
#### 3 Threaded Swivel

**Dimension A Per Stroke (extended)**  
 2" 7.18"  
 3" 9.18"

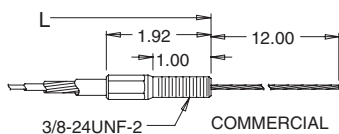


#### 4 Grooved Swivel

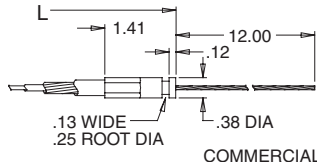
**Dimension A Per Stroke (extended)**  
 2" 6.56"  
 3" 8.56"



### VLD Bristow®



#### 5 Threaded Cap



#### 6 Grooved Cap

### Output End Configurations Codes

- 1 Threaded Swivel
- 2 Grooved Swivel
- 3 Threaded Swivel
- 4 Grooved Swivel
- 5 Threaded Cap
- 6 Grooved Cap

# Unidrum Lever Order Code

## Material

- Zinc Based Die-Cast Body, Drum and Lever
- Internal Long Life Nylon Bearings
- Optional Black Powder Coat Paint Finish

Linking Motion & Control...  
The Tuthill Solution



## Cablecraft® Ordering Codes

UDI - 1 - 4 - 4 - 2 - 120

### Basic Unidrum Lever

#### Knob Color

- 1 Black 165-505-101
- 2 Red 165-505-102

#### Cable Exit Position (see illustration)

- 1 Lower Mount, Left Exit
- 2 Lower Mount, Right Exit
- 3 Upper Mount, Left Exit
- 4 Upper Mount, Right Exit

#### Output End Configuration, Cable Size & Type

	Style	Size	Type
1	Threaded Swivel	VLD	Utility
2	Grooved Swivel	VLD	Utility
3	Threaded Swivel	LD	Utility
4	Grooved Swivel	LD	Utility
5	Threaded Cap	VLD	Bristow®
6	Grooved Cap	VLD	Bristow®

#### Travel (inches)

	Cable	Lever
2	2"	approx. 90°
3	3"	approx. 135°

#### Overall Length (inches)

## Replacement Cables

Part Number	Duty	Cap	Travel
A17X-330	LD	T	2"
A17X-331	LD	T	3"
A17X-332	LD	G	2"
A17X-333	LD	G	3"
A17X-530	VLD	T	2"
A17X-531	VLD	T	3"
A17X-532	VLD	G	2"
A17X-533	VLD	G	3"

• Please refer to the cautions/warnings and appropriate installation usage information in the Technical/Application Data sheet  
• For application assistance/technical questions, please contact us at the appropriate location listed below or through our website at [www.tuthillcontrols.com](http://www.tuthillcontrols.com)



4401 South Orchard Street  
Tacoma, Washington 98466 USA  
Tel 253 475-1080 Fax 253 474-1623  
  
2110 Summit Street  
New Haven, Indiana USA 46774  
Tel 260 749-5105 Fax 260 493-2387  
[www.tuthillcontrols.com](http://www.tuthillcontrols.com)

Diplocks Way-South Road  
Hailsham, East Sussex BN27 3JF, England  
Tel 44 1323 841510 Fax 44 1323 845848

Hingbergstrasse 79  
45468 Mulheim an Der Rhur, Germany  
Tel 49-208-300-650 Fax 49-208-300-6550