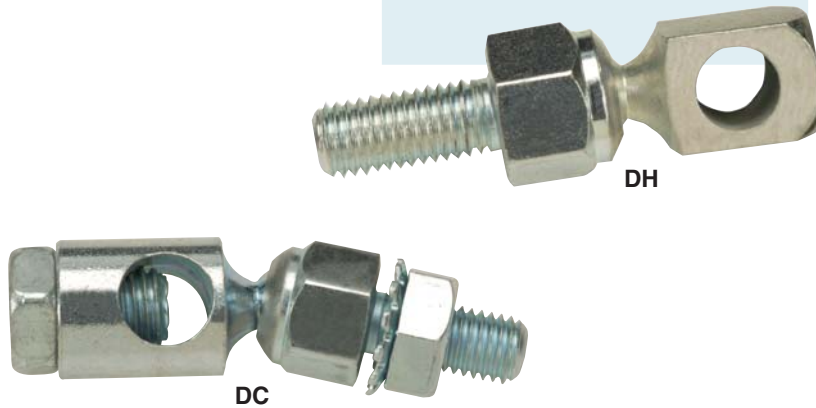


# DC/DH

## Control Swivels



### Swivels

DC/DH Swivels were developed specifically for control applications where infinite adjustment is desired along the length of a connecting rod. They are intended for low load applications and offer in-line misalignments that are suited primarily for push applications. By using a Buna N rubber disc in the assembly, smooth and vibration-free operation is realized. A wide range of sizes and styles are available to match your application. DC Model offers 5/16" hardened self-locking screw.

The DC/DH Control Swivel Series is just one of many motion control devices found within our broad line of rod ends, spherical bearings, ball joints and swivels. For full product line detail, contact us for a comprehensive catalog or visit [www.tuthill.com](http://www.tuthill.com) and download individual product data sheets and other product information.

### Description:

Type DC/DH  
Control Swivels

### Applications:

Numerous low load mechanical motion transfer applications where infinite adjustment is desired, including:

- HVAC
- Linear controls
- Light industrial applications

### Features:

- Suited to low load applications where infinite adjustment is desired along the entire length of the connecting rod
- Can be used with either 1/4" or 5/16" diameter control rods
- Head size:  
DC — .500" round  
DH — .375" square
- Special set screws (self-locking and surface hardened for wear resistance) provide increased holding strength
- Integral nut and lock washer optionally available
- Can be used in the wide range of temperatures:  
-60°F — 250°F  
(-51°C — 121°C)
- Custom assemblies can be built to your specifications
- DC style meets SAE specification J490 (DC: Type DC, Style 1; DH does not meet J490 specs)



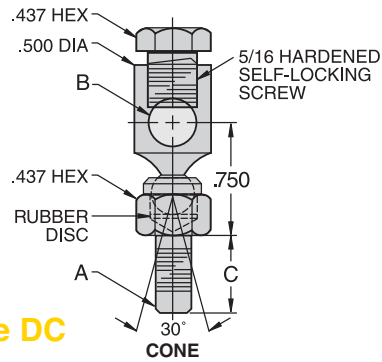
### Material

#### Ball Joint Head & Base

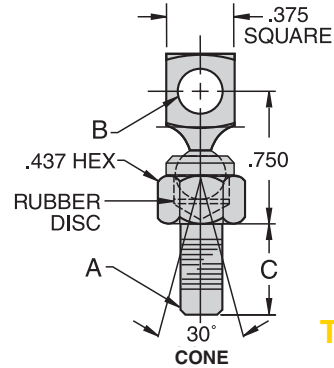
- Low Carbon Steel
- Zinc Plated, Clear Chromate Treated
- Buna N Rubber Disc (provides vibration-free operation)

#### Self Locking Screw

- Low Carbon Steel, Heat Treated
- Zinc Plated, Clear Chromate Treated



Type DC



Type DH

### Linking Motion & Control... The Tuthill Solution



### DC/DH Chart

Part Number		B +.005 -.002	C ± .015	A	Weight Less Integral Nut & Washer (Pounds)	Weight With Integral Nut & Washer (Pounds)
Less Integral Nut & Washer	With Integral Nut & Washer	Bore Diameter	Shank	Thread Size & Length		
DC1005F	DC1005FN	.328	.312	10-32 x .250	.047	.050
DC1207F	DC1207FN	.328	.437	1/4-28 x .328	.050	.057
DC1209F	DC1209FN	.328	.562	1/4-28 x .500	.052	.058
DC1207C	DC1207CN	.328	.437	1/4-20 x .328	.049	.056
DC1209C	DC1209CN	.328	.562	1/4-20 x .453	.051	.057
DC1310F	DC1310FN	.328	.625	5/16-24 x .516	.056	.067
DC1312F	DC1312FN	.328	.750	5/16-24 x .641	.059	.070
DH1209F-2		.257	.562	1/4-28 x .500	.035	

Chart Notes: 1. Swivels can be used with either 1/4" or 5/16" diameter control rods

2. DH Swivel Joint is available with an integral nut and lock washer to ease assembly. Specify by adding "N" to suffix. Example: DC1005FN

### Product Selector Guide

- Rod Ends — Industrial/Commercial
- Rod Ends — Precision/Heavy Duty
- Spherical Bearings
- Ball Joints
- Swivels
- Clevises/Safety Fasteners/Pins



2110 Summit Street  
New Haven, Indiana USA 46774  
Tel 260 749-5105 Fax 260 493-2387  
www.tuthillcontrols.com

• Please refer to the Warning statement and appropriate installation usage information in the Tuthill Technical/Application Data brochure  
• For application assistance/technical questions, please contact (tlgtech@tuthill.com) or phone (260-749-5105)