

Clevises/ Safety Fasteners/Pins

Inch



Clevises/Safety Fasteners/Pins Industrial

Clevises can be used in a wide range of applications from lawn & garden to heavy construction. They are made from low carbon steel and zinc plated for corrosion resistance. A clevis can be used in situations where a link needs to be easily disconnected. In those cases, many of our easy to install and remove retaining clips may be used along with our pins to lock the clevis in place through the eye of the linkage. Spring pins are made using low carbon steel pins and heat treated spring steel bodies. Retaining clips are made using heat treated spring steel.

Clevises are available in a full line of metric and inch sizes. The machined clevis style supports tolerances that are unachievable with forged style clevises. The higher tolerances allow for tighter fit-ups while also giving a cleaner look to many assemblies.



Description:

Industrial SAE —

Clevises:

Low Carbon Steel, Zinc Plated,
Yellow Dichromate Treated

Safety Fasteners:

Retaining Clips — Hardened
Spring Steel, Zinc Plated,
Yellow Dichromate Treated

Spring Clip — Low Carbon
Steel Pin and Spring Steel
Snap, Zinc Plated,
Yellow Dichromate Treated

Pins:

Low Carbon Steel, Zinc Plated,
Yellow Dichromate Treated

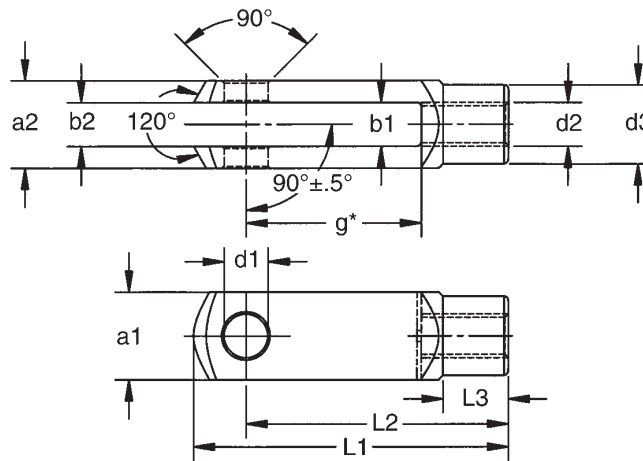
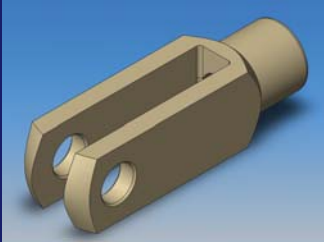
Applications:

- Lawn & Garden
- Construction
- Agriculture

Features:

- Low carbon steel for economical design
- Machined clevis style for higher precision fit and appearance
- Offered in both metric and inch
- Both metric and inch are available in RH & LH versions
- Multiple style retaining clips available
- Similar to DIN 71 752 (metric)

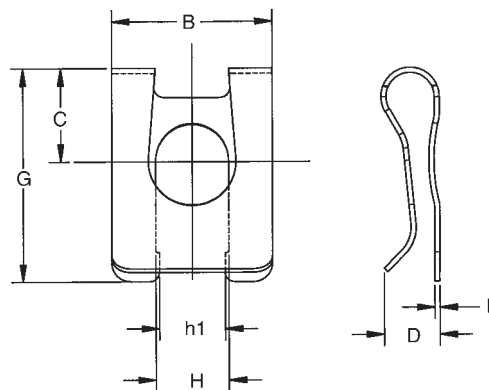
Clevises / Safety Fasteners / Pins



TXLC — Clevises Chart

Part No.	THREAD SIZE	d2		a1 REF	a2 REF	d1 +.002 -.000	b1 +.020 -.000	b2 LIMIT DEVIATION	g ±.020	L1 ±.020	L2	L3 ±.012	d3 ±.012		
		THREAD PITCH FINE	THREAD PITCH COARSE												
TXLC187 TXLCL187	#10	32	-	.375	.1875	.1875	+.020 -.000	.394 .787	1.024 1.417	.788 1.181	±.012	.295	.354		
TXLC250 TXLCL250	1/4	28	20	.500	.250	.250		.472 .945	1.220 1.693	.944 1.417		.472 .551	±.016	.591 .708	.394
TXLC312 TXLCL312	5/16	24	18	.625	.3125	.3125		1.260 1.890	1.654 2.283	1.260 1.890					
TXLC375 TXLCL375	3/8	24	16	.750	.375	.375		.787 1.575	2.047 2.834	1.575 2.361	.886 .945	±.016	.708	.354	
TXLC500 TXLCL500	1/2	20	13	1.000	.500	.500		1.102 2.205	2.834 3.976	2.205 3.307					

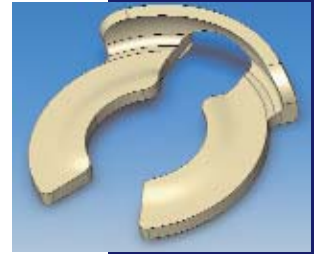
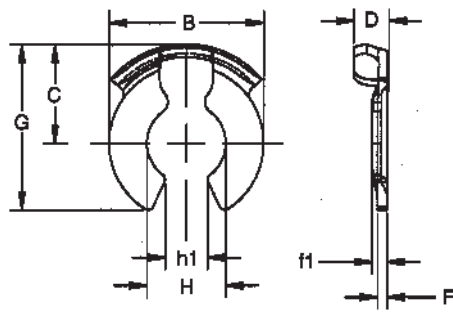
*Add CG suffix for Coarse Thread — example: TXLC187CG



TXLM — Clevis Pin Safety Clip Chart

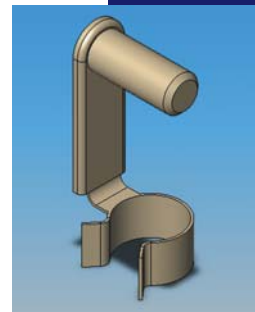
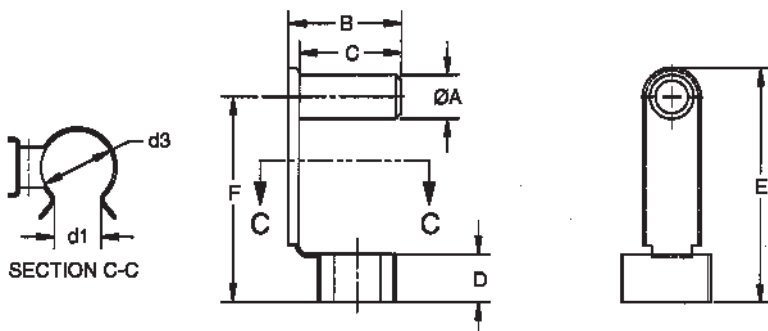
Part No.	B	C	D	F REF	G	H	h1 REF
TXLM187	.355	.195	.084	.016	.429	.152 / .144	.112
TXLM250	.437	.245	.130	.020	.562	.205 / .197	.165
TXLM312	.551	.315	.138	.020	.679	.252 / .244	.212
TXLM375	.710	.385	.211	.020	.844	.313 / .305	.265
TXLM500	1.000	.520	.263	.024	1.200	.400 / .392	.352

All line art dimensions are represented in inches



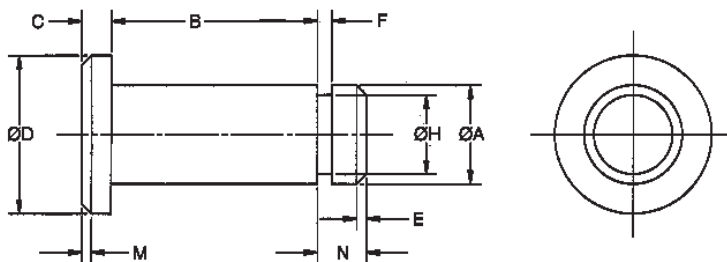
TXLK — Clevis Pin Retaining Clip Chart

Part No.	B	C	D	F REF	f1 ±.10	G	H	h1
TXLK187	.267	.169	.102	.015	.027	.275	.148 / .140	.105 / .082
TXLK250	.303	.204	.110	.019	.035	.330	.201 / .193	.090 / .114
TXLK312	.417	.267	.137	.019	.035	.460	.248 / .240	.119 / .143
TXLK375	.452	.291	.157	.019	.035	.464	.309 / .301	.152 / .176
TXLK500	.610	.374	.196	.023	.047	.625	.396 / .388	.206 / .230



TXLSP — Clevis Spring Pins Chart

Part No.	A	B	C +.3 / -.16	D	E	F	d1	d3 REF
TXLSP187 TXLSPL187	.1875 / .1855	.49	.43	.22	.90	.75	.177 / .138	.354
TXLSP250 TXLSPL250	.250 / .247	.64	.56	.25	1.10	.90	.212 / .166	.394
TXLSP312 TXLSPL312	.3125 / .3095	.79	.70	.31	1.43	1.18	.283 / .221	.551
TXLSP375 TXLSPL375	.375 / .372	.95	.83	.39	1.77	1.50	.354 / .278	.708
TXLSP500 TXLSPL500	.500 / .497	1.21	1.09	.55	2.44	2.05	.531 / .416	.945



TXLP — Clevis Pins Chart

Part No.	ØA	B +.3 / -0	C ±.3	ØD STK	E	F	ØH	M	N
TXLP187	.1870 / .1855	.405 / .395	.050	.250	.020	.028 / .020	.140 / .132	.020	.095 / .090
TXLP250	.2495 / .2470	.530 / .520	.062	.343	.030	.034 / .026	.193 / .185	.030	.115 / .110
TXLP312	.3120 / .3095	.655 / .645	.078	.437	.040	.041 / .033	.240 / .232	.040	.135 / .130
TXLP375	.3745 / .3720	.780 / .770	.090	.500	.040	.045 / .037	.301 / .285	.050	.172 / .167
TXLP500	.4995 / .4970	1.030 / 1.020	.110	.625	.050	.054 / .046	.388 / .372	.060	.213 / .208

All line art dimensions are represented in inches

Motion Transfer Solutions



**Components/
kits**



What Can Tuthill Do For You?

Tuthill Controls Group is the leading designer and manufacturer of mechanical motion transfer components. Rod ends, ball joints, spherical bearings, clevises, safety clips and pins — available to meet your demanding application requirements. Standards or specials, individual components or custom assemblies. Whatever you need.



No assembly required!



While we are happy to provide you with one or many individual components, increasing numbers of our customers are calling for pre-assembled sub-assemblies, whether they be cable controls or rigid linkage controls. They realize that our assembly modules result in significant savings in terms of part numbers, supplier reduction, inventory control along with space and overhead. Manufacturing costs are reduced too, and manufacturing efficiencies have been increased.

Linking Motion
& Control...
The Tuthill
Solution



Tuthill Controls Group is your source for a full range of mechanical control products and assemblies. Hand controls, foot controls, mechanical linkages and cable assemblies. Standard products and custom-engineered solutions to meet your exact specifications. Worldwide engineering, parts and service support. Your shipments, how you want them, where you want them, when you want them. Only from Tuthill Controls Group. Get Connected.



**Complete
mechanical/
control
products**



**TUTHILL
Controls Group**

2110 Summit Street
New Haven, Indiana USA 46774
Tel 260 749-5105 Fax 260 493-2387
www.tuthillcontrols.com

• Please refer to the Warning statement and appropriate installation usage information in the Tuthill Technical/Application Data brochure
• For application assistance/technical questions, please contact (tcgtech@tuthill.com) or phone (260-749-5105)